

# VEHICLE SECURITY SYSTEM

WITH REMOTE START & NETWORK INTERFACE

## INSTALLATION MANUAL

BEFORE INSTALLING THIS PRODUCT PLEASE READ  
THIS INSTALLATION MANUAL THOROUGHLY!!

### Before You Begin

*This system is intended for installation on vehicles equipped with automatic transmissions and electronic fuel injection only! DO NOT INSTALL THIS SYSTEM INTO A MANUAL TRANSMISSION VEHICLE AS IT COULD RESULT IN SERIOUS INJURY OR DEATH.*

- This product must be installed by qualified personnel according to these instructions and observing all safety features.
- Verify that the vehicle is equipped with electronic fuel injection and automatic transmission.
- Check to see if the vehicle is equipped with any type of factory security system.
- Check to see if there is a pin switch for the hood, if not one must be installed.
- Verify that the vehicle starts and idles properly before starting the installation.
- Always use a multi-meter when verifying vehicle wiring.
- Before mounting the product, verify with the customer the desired location for the valet switch and LED.
- Set the Polarity Jumper inside the main unit first. (see Jumper Settings)

### Installation Instructions

#### Mounting System Module

Mount the system module under the dash where it will be difficult for a potential thief to locate the module, and away from moving parts such as brake pedals, etc. Mount the extended range receiver on the windshield in a location that will not obscure the driver's view.

#### Mounting Siren

Mount the siren in a suitable place under the hood, away from hot and moving engine parts such as manifolds, fan belts, etc. Make sure the siren cannot be accessed from underneath the vehicle or through the grill. Face the siren down so that water cannot accumulate inside the siren bell. Protect wires running through the firewall using either tape or split loom tubing. If a new hole is needed, protect the wire from chaffing by installing a proper size grommet.

#### Mounting Shock Sensor

Secure the shock sensor to the steering column, thick wire harness or a dash brace, using a wire tie. Make sure that the adjustment screw is accessible for later testing and adjustment.

## High-Current Wire Connections:

- RED WIRE #1 -Main power input; using the supplied inline fuse holder, connect directly to the vehicle's battery or alternate power source with a minimum 30 Amp supply.
- RED WIRE #2 - Secondary power input; using the supplied inline fuse holder, connect directly to the vehicle's battery or alternate power source with a minimum 30 Amp supply.

Note: If not connecting directly to the vehicle's battery, it is recommended to use separate power sources (minimum 30 Amp each) for each red power wire.

- BROWN WIRE - Second ignition output; connect to the wire that switches +12V and does not drop out during cranking. This wire may be optionally programmed for use as a second accessory wire or second starter wire. (see Programmable Features)
- ORANGE WIRE - Main accessory output; +12V output to heater and/or air conditioning system. For cars with more than one accessory wire add a relay(s) to power the extra accessory wire(s) or program the BROWN wire for second accessory.
- YELLOW WIRE - Main ignition output; connect to the main ignition wire that switches +12V and does not drop out during cranking.
- VIOLET WIRE - Starter output; connect to the vehicle's starter wire.

## Main Harness:

- GREEN/WHITE WIRE - Brake switch input wire. Connect this wire to the brake switch wire that provides +12V when the brake pedal is pressed. This is a safety input and must be connected on all installations.
- BLACK/GRAY WIRE - Tachometer input. If the Smart Start feature fails to start properly,

connect the BLACK/GRAY wire directly to the vehicle's tach wire or negative fuel injector wire, and program Step #20 to Tach Start.

- WHITE/RED WIRE - Auxiliary 2 output (-) 500mA. Connect to a relay or module for an optional feature such as power window activation or remote start, etc. This output may be programmed for momentary, timed, or latched operation.
- BLACK/WHITE WIRE - Dome Light output (-) 500mA. Connect to a relay to activate the vehicle's dome light. NOTE: The dome light relay's output is usually connected to the same wire used for the door trigger input (See GREEN and VIOLET door trigger wires).
- YELLOW WIRE - +12V Ignition input. Connect to a main ignition wire at the ignition switch harness. This wire shows +12V when the ignition is on and while cranking. The voltage must not drop when the car is starting.
- BLUE/YELLOW WIRE - Glow Plug Light input (+). For diesel engine vehicles connect to the glow plug wire in the instrument cluster that shows +12V when the glow plug (wait-to-start) light is on, then shows ground when the light turns off. For vehicle's equipped with a positive glow plug wire (shows ground when the wait-to-start light is on) a relay is required. (see Relay Diagrams)
- BLUE/WHITE WIRE - Passenger Unlock output (-) 500mA. Connect to an optional relay to unlock the passenger doors when the system is configured for Driver Priority Unlocking.
- BLUE/ORANGE WIRE - Ground When Running Output (-). This wire provides a ground when the remote start is engaged to activate an optional factory security bypass module.
- BLACK WIRE - Ground input (-). Connect to a solid chassis ground that is clean and free of paint or dirt.

• **RED WIRE** - +12V Battery input #3. Connect the red fused wire on the main harness to a constant +12V source. This wire is the power input for the module.

• **VIOLET WIRE** - Positive door trigger (+). Connect to the door switch circuit wire that shows +12V when the door is open. This type of door circuit is usually found on Ford vehicles.

• **GREEN WIRE** - Negative door trigger (-). Connect to the door switch circuit wire that shows ground when the door is open.

• **WHITE/BLACK WIRE** - Hood trigger (-). Connect this wire to an optional hood pin switch. The switch must provide a ground when the switch is opened.

• **ORANGE WIRE** - Armed output (-) 500mA. Connect to a relay for optional starter defeat and anti-grind protection. (See Relay Diagrams).

• **VIOLET/WHITE WIRE** - Factory Disarm output (-). Connect to the wire that requires a ground pulse to disarm the factory alarm. The VIOLET/WHITE wire provides a ground pulse when the remote transmitter is used to unlock the doors or start the vehicle.

• **WHITE/VIOLET WIRE** - Factory Arm output (-). Connect to the wire that requires a ground pulse to arm the factory alarm. The WHITE/VIOLET wire provides a ground pulse when the remote transmitter is used to lock the doors or when the remote start shuts down.

• **BROWN WIRE** - Siren wire output (+) 3A. Connect to the siren's red wire. Connect the siren's black wire to ground.

• **GRAY WIRE** - Auxiliary I output (-) 500mA. Connect to a relay for optional features such as trunk release, etc. This output is programmable for momentary, timed, or latched operation.

• **WHITE WIRE** - Parking Light output (+/-) 10A relay. Connect to the vehicle's parking light wire. If the vehicle's parking light circuit exceeds

10 Amps a relay is required. For vehicle's with independent left and right parking light circuits, the parking light wires must be connected using diodes to keep the circuits separate. **NOTE:** Do not connect the WHITE wire to the vehicle's headlight circuit.

• **BROWN/WHITE WIRE** - Horn output (-) 500mA. Connect to an optional relay to activate the vehicle's horn when the alarm is triggered. This wire is also programmable for use as a 3rd ignition output if necessary.

### **Plug in Connectors**

**4-Pin White Connector:** Plug-in connector port for dual stage shock sensor.

**2-Pin Blue Connector:** Plug-in connector port for program/service switch. Mount program switch in an area that is easily accessible from the driver's position.

**2-Pin Red Connector:** Plug-in connector port for LED. Mount LED in an area where it may be easily seen from either side of the vehicle.

**3-Pin White Door Lock Connector:** Plug-in connector port for door lock harness or optional door lock relay module (PDLM-3).

• **BLUE WIRE** - negative unlock output (-) 500mA.

• **RED WIRE** - Relay trigger only (+) 300mA. Low current output for relay modules, or inverters. Do NOT use as a power source for door lock relays.

• **GREEN WIRE** - negative lock output (-) 500mA.

**3-Pin White Network Connector:** The plug-in network connector port is on the side of the main module. This network port may be used with the optional personal computer interface for diagnostics, software customization and expanded programming options. The network also offers connection to optional accessories.

## Entering Programming

To enter System Programming:

1. Turn on ignition.
2. Within 5 seconds, press valet switch 5 times.
  - The siren will chirp 3 times, indicating that you have entered Programming.
3. Press the valet switch the number times equal to the Feature you want to change.
  - The siren will chirp each time the valet switch is pressed.
4. Within 5 seconds, press the transmitter

button corresponding to the desired operating mode for that Feature.

- The siren will chirp to indicate the setting.

One chirp = Button 1

Two chirps = Button 2

Three chirps = Button 3

5. Repeat steps 3 and 4 to change additional features.
6. Turn off ignition to save changes.

Note: The optional FM transmitter may not be used for feature programming.

## Programmable Features

<u>Step</u>	<u>Function</u>	<u>Button 1</u>	<u>Button 2</u>	<u>Button 3</u>
1.	Ignition Locking	On	Off	Override Code Set
2.	Ignition Unlocking	All Doors	Driver only	Off
3.	Door Unlock Pulse	Single	Double	
4.	Door Lock Pulse Width	1 second	3 seconds	
5.	Auxiliary 2 Auto Activate on Arming	Off	On	
6.	Auxiliary 1 Output	Momentary	10 seconds Timed	Latched
7.	Auxiliary 2 Output	Momentary	10 seconds Timed	Latched
8.	Trunk Disarm Feature	Off	On	
9.	Remote Start in Valet Mode (optional)	Enabled	Disabled	
10.	Lock With Remote Start	On	Off	
11.	Lock With Remote Shutdown	On	Off	
12.	Engine Run Time	12 minutes	24 minutes	
13.	Cold Temperature Starting	Every 2 hours	Every hour	
14.	Engine Start Sense	Smart Start	Tach Start	
15.	Engine Programming	Learn RPM	Gas Engine	Diesel Engine
16.	FM Module Program (optional)	Learn Module	Learn FM Transmitter	
17.	Ignition 2 Relay Programming	Ignition 2	Accessory 2	Starter 2
18.	Horn Output	Horn Output	Ignition 3 Output	

## Programmable Features

1. Ignition Locking / Override Code Set. Automatically locks the doors when the ignition is turned on. The system will not lock the doors if any door is open when the ignition is turned on. Pressing Button 3 during this step enters the Override Code Set mode. Press the valet switch the desired number of times from 1-15 to set the code.

2. Ignition Unlocking. Automatically unlocks the doors when the ignition is turned off. Select from all door unlock, driver's door only unlock, or no unlock. (Note: Driver's door only unlock requires wiring the system for Passenger Unlock. see Two Step Unlocking Diagrams.)

3. Door Unlock Pulse - Single/Double. Selects between a single pulse or a double pulse door unlock output.

4. Door Lock Pulse Width. Selects between a 1-second and a 3-second output for vehicles equipped with vacuum door locking systems.

5. Auxiliary 2 Auto Activate on Arming. When selected, the Auxiliary 2 output will pulse upon system arming to activate accessory items when the system is armed.

6. Auxiliary Function 1 - Selectable for Momentary, Timed, or Latched operation.

When Momentary operation is selected, the system will provide an output for as long as the Transmitter button is held.

When Latched operation is selected, the system will provide an output that turns on when the transmitter button is pressed and turns off when the transmitter button is pressed again.

When Timed operation is selected, the system will provide an output that turns on for 10 seconds each time the transmitter button is pressed. If the button is pressed again during the 10 seconds, the output will turn off.

7. Auxiliary Function 2 - Selectable for Momentary, Timed, or Latched operation.

8. Trunk Disarm Feature. When selected, activating the Auxiliary 1 function to open the trunk will automatically disarm the system.

9. Remote Start in Valet Mode. Determines if the remote start feature will operate when the alarm is set for valet mode.

10. Lock with Remote Start. Automatically locks the doors after successfully remote starting.

11. Lock with Remote Shutdown. Automatically locks the doors 5 seconds after the remote start is shut down.

12. Engine Run Time. Selects between 12 and 24 minute run cycle.

13. Cold Temperature Starting. Allows the vehicle to automatically start and run every 2 hours or every hour for severe cold weather.

14. Engine Start Sense. Selects between Smart Start for tachless operation, or Tach Start for actual RPM monitored starting. (see Step #21)

15. Engine Programming. Pressing transmitter button 1 "learns" the RPM. For diesel vehicles, after learning Tach signal enter step #21 again and set for diesel by pressing button 3.

16. FM Transmitter Module. Pressing button 1 learns the add-on FM module ID so the FM transmitter can operate the system. Pressing button 2 learns the FM transmitter. After pressing button 2 on the AM remote, press transmitter button 1 on each FM remote (max 2).

17. Ignition 2 Relay Programming. Selects between second ignition, second accessory, or second starter output operation for heavy gauge BROWN wire.

18. Horn Output. Selects between horn output or ignition 3 output for the horn wire.

## Engine Programming for Remote Start

In order for the system to properly start and run the vehicle, the unit must be able to determine if the engine is cranking or if the engine is actually running. This system is equipped with two means of detecting the engine's run status: Smart Start and Tach Start.

The **Smart Start** feature detects the engine's run status using specially designed software that interprets certain characteristics of the engine, and does not require a connection to the vehicle's tachometer wire. This feature allows a faster installation, but may not be compatible with all vehicles, or under extreme temperatures.

The **Tach Start** feature requires connection to the vehicle's tachometer wire, or an injector wire if the tach wire is not available. The Tach Start feature provides reliable operation with virtually any vehicle and in severe temperature extremes. When the Tach Start feature is selected, the vehicle's tach signal must be "learned" through system programming. (see below)

To Program the Tach Start feature:

1. Enter System Programming. (see Entering Programming)
2. Program Step #14 to Tach Start using transmitter button 2.
3. Re-enter system programming, and go to Step #15.
4. Immediately start the vehicle with the key to avoid the programming sequence timing out.
5. Press transmitter button 1 to learn the vehicle's tach signal.
  - The siren will chirp and the LED will flash once if the tach was learned.

- The siren will chirp and the LED will flash 5 times if the tach was not learned.
6. Turn off ignition to save settings.

The default setting for the engine mode is **Gas Engine**. For diesel vehicles, the engine type for Step #15 must be set to **Diesel Engine**. When programmed for diesel engines, the BLUE/YELLOW wire (glow plug input) is monitored to make sure the glow plugs have warmed up before the engine begins cranking. If the glow plug wire is not connected, the unit has a built-in timer that waits 15 seconds before cranking the starter.

## Complete Default Reset

Following this procedure will set all User and Installer Programming Parameters to factory default settings.

1. Enter System Programming.
2. Press Transmitter Button 3.
  - The siren will chirp 6 times indicating the reset signal was received.
  - All Programming options are now set to factory default settings.
3. Turn ignition off.

## Adding Transmitters

To add a new transmitter to the system have the desired transmitters ready and follow the Code Learning sequence.

To enter Code Learning Mode:

1. Turn the ignition on, off, on, off and leave on.
  - The lights will flash 3 times.
2. Press the Override switch.
  - The status LED will turn on red.
  - The lights will flash 5 times.
3. Press the Lock Button on the transmitter.

- The lights will flash once.
4. Press Lock Button on the transmitter again.
    - The lights will flash twice.
  5. Repeat steps 3 and 4 for each additional transmitter.
  6. Turn off the ignition.
    - The lights will flash 3 times.

### **Bypassing Factory Theft Deterrent Systems**

Many newer vehicles are now factory-equipped with anti-theft systems that use either a resistor coded key or a passive transponder that disables the fuel system unless a properly coded key is inserted into the ignition cylinder. To integrate a remote starter into these vehicles, you must determine which type of factory anti-theft system is equipped, then use the proper bypass module for that system.

### **General Motors Anti-theft Systems:**

Many late-model GM vehicles are equipped with one of three basic anti-theft systems; Passkey, Passlock, and Passkey 3. Standard Passkey systems are easily identified by the resistor chip visible on the shaft of the key. Passlock systems do not rely on a resistor equipped key. Instead they use a resistance code generated when the key is turned in the ignition cylinder. Both of these systems have an anti-theft indicator in the instrument cluster. To properly interface into these systems and retain full functionality of the factory anti-theft system, VATS/PASSLOCK bypass module must be installed.

The Passkey 3 system, which is found on GM vehicles 1999 and newer, is a transponder based system described below.

### **Passive Transponder Systems:**

Passive transponder systems have become the most popular anti-theft system among vehicle manufacturers (Ford, Honda, BMW, Toyota, Nissan and others). This system requires use of a tiny passive transmitter housed in the base of the key. This device activates when placed close to the vehicle's ignition switch. The starter will usually crank but the fuel system will be disabled, not allowing the vehicle to run, if the transponder is not detected. To properly interface into transponder systems, a transponder bypass module must be installed. These modules allow full functionality of the factory anti-theft system and usually require the use of a spare key.

### **Connecting BW501 Add-on Module:**

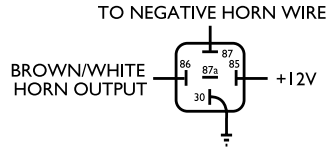
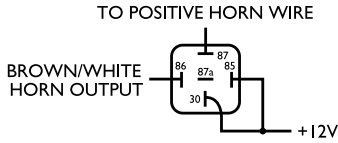
Connect blue wire from shock sensor port (4 pin plug) to auxiliary output from remote alarm system (if connecting to an OEM keyless entry or OEM security system that has no auxiliary output).

Connect the white wire from the 4 pin connector port to a negative lock wire. Press transmitter lock button 5 times to remote start or shut down remote start operation.

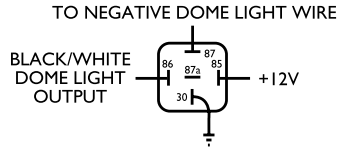
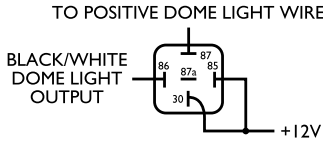


# RELAY WIRING DIAGRAMS

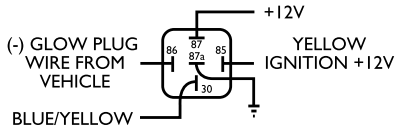
## HORN HONK DIAGRAMS



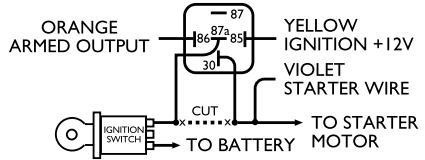
## DOMELIGHT DIAGRAMS



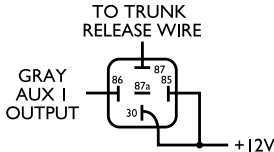
## NEGATIVE GLOW PLUG



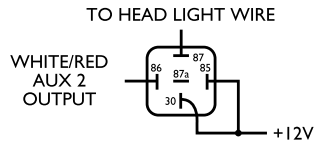
## STARTER DISABLE / ANTI-GRIND



## TRUNK RELEASE DIAGRAM



## OPTIONAL HEADLIGHT ACTIVATION

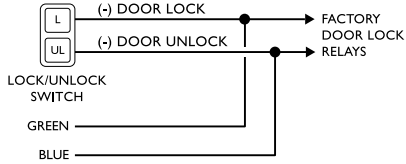


Program the Auxiliary 2 output for timed operation and the headlights will turn on with Aux 2 for the pre-set timer duration then automatically turn off.

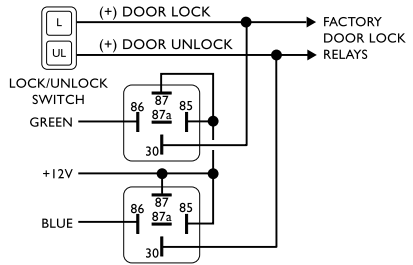
Program the Auxiliary 2 output for latched operation and the headlights will turn on with Aux 2 and remain on until the Auxiliary 2 function is pressed again.

# DOOR LOCK WIRING DIAGRAMS

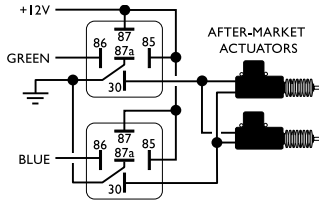
## NEGATIVE PULSE LOCK SYSTEM



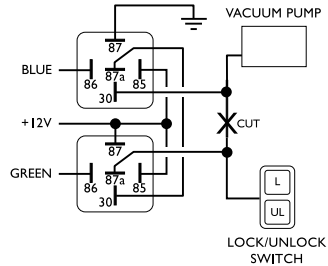
## POSITIVE PULSE LOCK SYSTEM



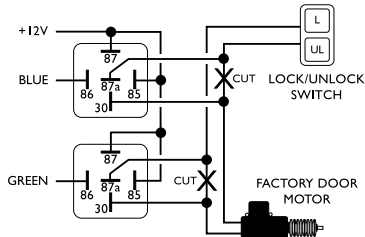
## ADDING ACTUATORS



## VACUUM LOCK SYSTEM

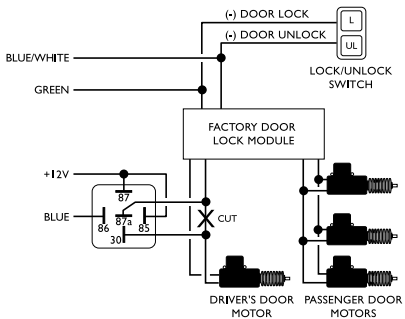


## REVERSE POLARITY LOCK SYSTEM

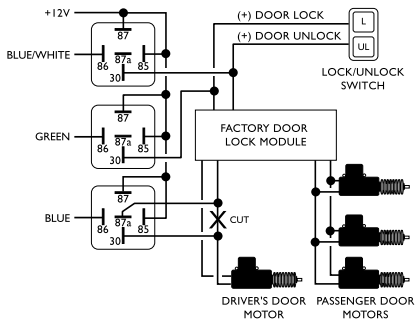


# OPTIONAL TWO-STEP UNLOCK WIRING DIAGRAMS

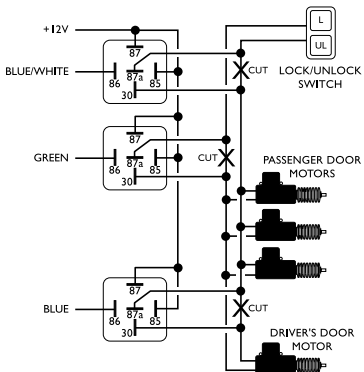
## TWO-STEP UNLOCK NEGATIVE PULSE



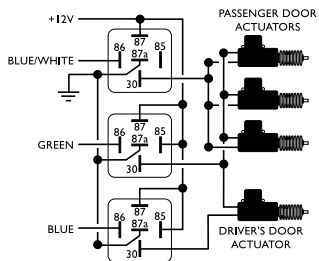
## TWO-STEP UNLOCK POSITIVE PULSE



## TWO-STEP UNLOCK REVERSE POLARITY



## TWO-STEP UNLOCK ADDING ACTUATORS



## TROUBLESHOOTING

Problem	Probable Cause	Suggested Correction
Alarm does not operate.	Alarm in Valet Mode; Ignition input has voltage on it; Missing +12V or ground.	Take alarm out of Valet mode; Turn key off and verify yellow wire is connected to correct ignition wire; Check +12V and ground connections.
Alarm will not Passively Arm.	Unit is not programmed for Passive Arming, wrong polarity door input wire, Yellow ignition input has 12V+ on it.	Program step #1 for Passive Arming; Correct door switch polarity; Change ignition input wire; Make sure alarm is not in Valet.
Alarm will not enter Code Learning Mode.	Ignition was not left in the on position after turning it on & off three times; Sequence not performed rapidly enough (5 sec.); Valet/Override Switch is defective or not plugged in.	Leave ignition in on position; Repeat procedure quicker; Replace valet switch.
Alarm chirps 4 times 5 seconds after system is Armed.	Factory Dome light Delay is longer than 5 seconds; Door open or defective pin switch; Shock sensor is not properly adjusted or defective.	If dome light delay is longer than 5 seconds program Step #10 to OFF; Replace defective pin switch; Adjust or replace shock sensor.
Parking lights do not flash.	Wrong wire connected, Wrong polarity selected, or RED Wire #1 not connected to battery power.	Connect WHITE wire to proper wire, Reverse jumper polarity (see Jumper Settings), Connect RED wire #1 to +12V.
Door locks do not lock or unlock correctly, or action is reversed	Defective GREEN or BLUE wire in door lock connector plug, GREEN and BLUE wires reversed, or wrong door lock wiring diagram used.	Check GREEN and BLUE wires on door lock connector plug; Verify vehicle's type of door lock system; Reverse wiring to door relays.
Illuminated Entry does not activate on upon disarm.	External relay required, or Wrong polarity wired for relay.	Add relay (see Relay Wiring Diagrams; Reverse relay polarity.

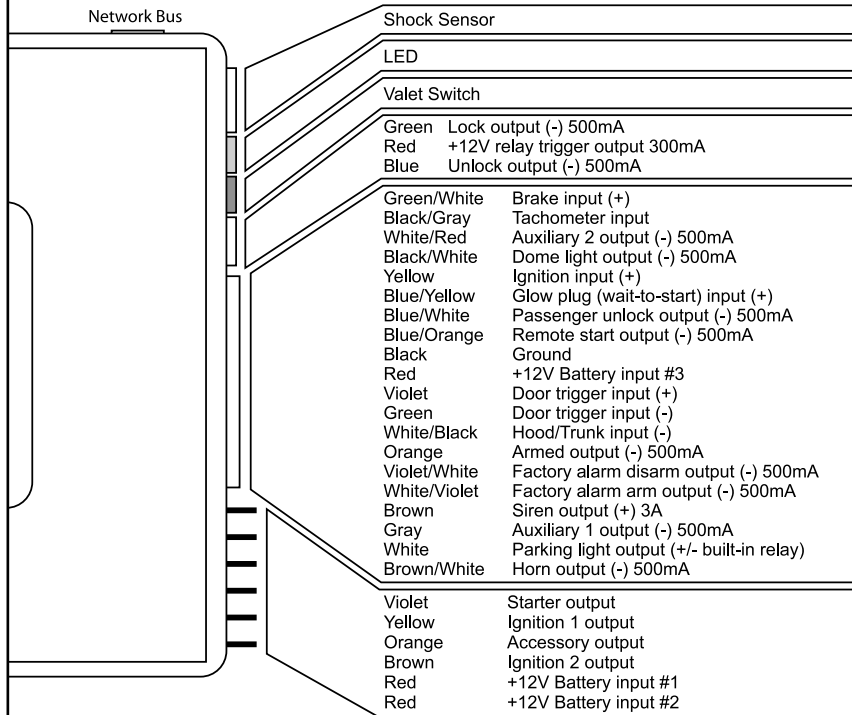
## TROUBLESHOOTING CONTINUED

Problem	Probable Cause	Suggested Correction
Range is poor.	Antenna wire is grounded; Module is picking up interference from vehicle's electrical system.	Make sure antenna is not connected to ground; Relocate module or route antenna away from computer modules.
Vehicle will not remote start.	Safety inputs are triggered.	Check Brake Switch Input (+) or Hood Input (-).
Vehicle cranks and begins to run, then shuts off.	Smart Start is not compatible with this vehicle; Vehicle's tach signal is not learned.	Connect the BLACK/GRAY wire, and program the unit to learn the vehicle's tach signal.
Vehicle cranks and begins to run, then shuts off.	Vehicle has a factory theft deterrent system that prevents starting w/o key in ignition.	See door lock diagram; Verify vehicle lock/unlock wires.
Keyless entry does not operate with remote.	Wrong door lock polarity; Wrong lock wires connected.	See Bypassing Factory Theft Deterrent Systems.
Ignition triggered door lock feature does not operate.	Yellow wire shows +12V; Door is open; Door trigger input wrong polarity.	Connect yellow wire to proper ignition wire; Close door; Change door trigger polarity.
Car horn honks when system disarmed and door is opened.	Vehicle's factory security system needs to be disarmed.	Locate the disarm wire (usually located in driver's kick panel) and connect VIOLET/WHITE wire to disarm factory system.
Car will not start and alarm does not function properly.	Vehicle battery dead or drops below 9 volts when trying to start the vehicle.	Charge or replace battery.
Diesel vehicle cranks at incorrect time (before wait-to-start light turns off or long after light turns off).	Glow plug wire not connected; Glow plug wire connected to wrong wire; Wrong glow plug wire polarity.	Connect BLUE/YELLOW wire to glow plug wire; Connect to correct glow plug wire in vehicle; Check glow plug wire polarity and use a relay to change (see Relay Diagrams).

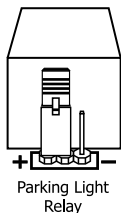




## WIRING DIAGRAM



## JUMPER SETTINGS



The output polarity for the built-in parking light relay is determined by the placement of the jumper on the 3 pins in front of the relay. The default settings is illustrated on the left.

Jumper on Center Pin and Left Pin = Positive Output  
 Jumper on Center Pin and Right Pin = Negative Output